



Green Walls

Featuring

*One Container
Growing System*

Exterior Grid System
Standard Details

Drawing List

- Grid System Cover Sheet
- GS-0 Grid System Specifications & Notes
- GS-1 Grid System Elevation
- GS-2 Grid System Section
- GS-3 Grid System Panel Layout
- GS-4 Grid System Containers
- GS-5 Grid System Anchor Details
- GS-6 Grid System Container Anchor
- GS-7 Grid System Trim Detail
- GS-8 Grid System O.S. Corner Detail
- GS-9 Grid System Window Detail
- GS-10 Grid System Water Diversion Channels
- GS-11 Irrigation Equipment Room Layout
- GS-12 Irrigation Diagram
- GS-13 Irrigation Remote Control Valve Detail
- GS-14 Irrigation Manual Drain Detail
- GS-15 Irrigation Connection Detail

<h2 style="text-align: center;">GreenWalls</h2>	<h2 style="text-align: center;">Design</h2>	<h2 style="text-align: center;">Specifications</h2>
<p>GREEN WALLS Vertical Growing Technologies</p> <ul style="list-style-type: none"> • Versatile • Affordable • Flexible 	<p>SYSTEM REQUIREMENTS:</p> <ul style="list-style-type: none"> • Water Supply for Each Zone, PSI Per Design • Flush, Vertically Plumb Waterproof Surface • Irrigation MEP Equipment Room • Green Wall Light Source Analysis • Provide Keyed Switch for System Power <p>GREEN WALL LOCATION:</p> <ul style="list-style-type: none"> • Avoid MEP Exhausts and Chemicals • Awnings Within Green Wall Impact Vegetation 	<p>OUTLINE SPECIFICATIONS:</p> <ul style="list-style-type: none"> • Outline Green Wall & Irrigation Specs <p>PROJECT SPECIFICATIONS:</p> <ul style="list-style-type: none"> • Project Green Wall and Irrigation Specs <p>PROJECT SUBMITTALS:</p> <ul style="list-style-type: none"> • Shop Drawings, Specs & Product Data
<h2 style="text-align: center;">Services</h2>	<h2 style="text-align: center;">Warranty</h2>	<h2 style="text-align: center;">Coordination</h2>
<ul style="list-style-type: none"> • Custom Designs • Technical Support • Plant Sourcing • Onsite Consultation • Shop Drawings • Installation 	<p>STANDARD:</p> <ul style="list-style-type: none"> • One Year Parts and Labor <p>EXTENDED:</p> <ul style="list-style-type: none"> • Multiple Options Available • Varies per Project Design 	<p>DESIGN:</p> <ul style="list-style-type: none"> • Technical Support - Contact Us <p>PRODUCT LEAD TIME:</p> <p>Note: Varies Based on Green Wall Size</p> <ul style="list-style-type: none"> • 6-8 Weeks - Green Wall Components • 12-16 Weeks - Plants and Soils
<h2 style="text-align: center;">Systems</h2>	<h2 style="text-align: center;">Maintenance</h2>	<h2 style="text-align: center;">Contact Us</h2>
<ul style="list-style-type: none"> • Interior Aerogation • Exterior Grid • Exterior Aerogation • Design Build • Custom Designs • Cabinet Units 	<p>SERVICES:</p> <ul style="list-style-type: none"> • 1-3 Year Contract Options • System & Software Training • Seasonal Start-Up • Plant Replacement Options • AgroSci Trained and Certified Providers 	<p>Greenstreet GreenWalls</p> <p>391 West Bay Front Rd, Lothian, MD 20711</p> <p>OFFICE: 410-867-9500 FAX: 410-867-6130</p> <p>EMAIL: ray@greenstreetgreenwalls.com WEBSITE: www.greenstreetgreenwalls.com</p>

Exterior Grid System

This Design & Drawing is Copyright Protected AgroSci 2017 All Rights Reserved

Project Name: **Green Wall - Exterior Grid System**
 Project Location: **Standard Details**

Project #: **Standard Details**

Date: **July 30, 2016**

Drawn By: **stc**

Scale: **As Noted**

Drawing Name: **Exterior Green Wall Elevation**

Drawing #: **GS-1**

GS-1

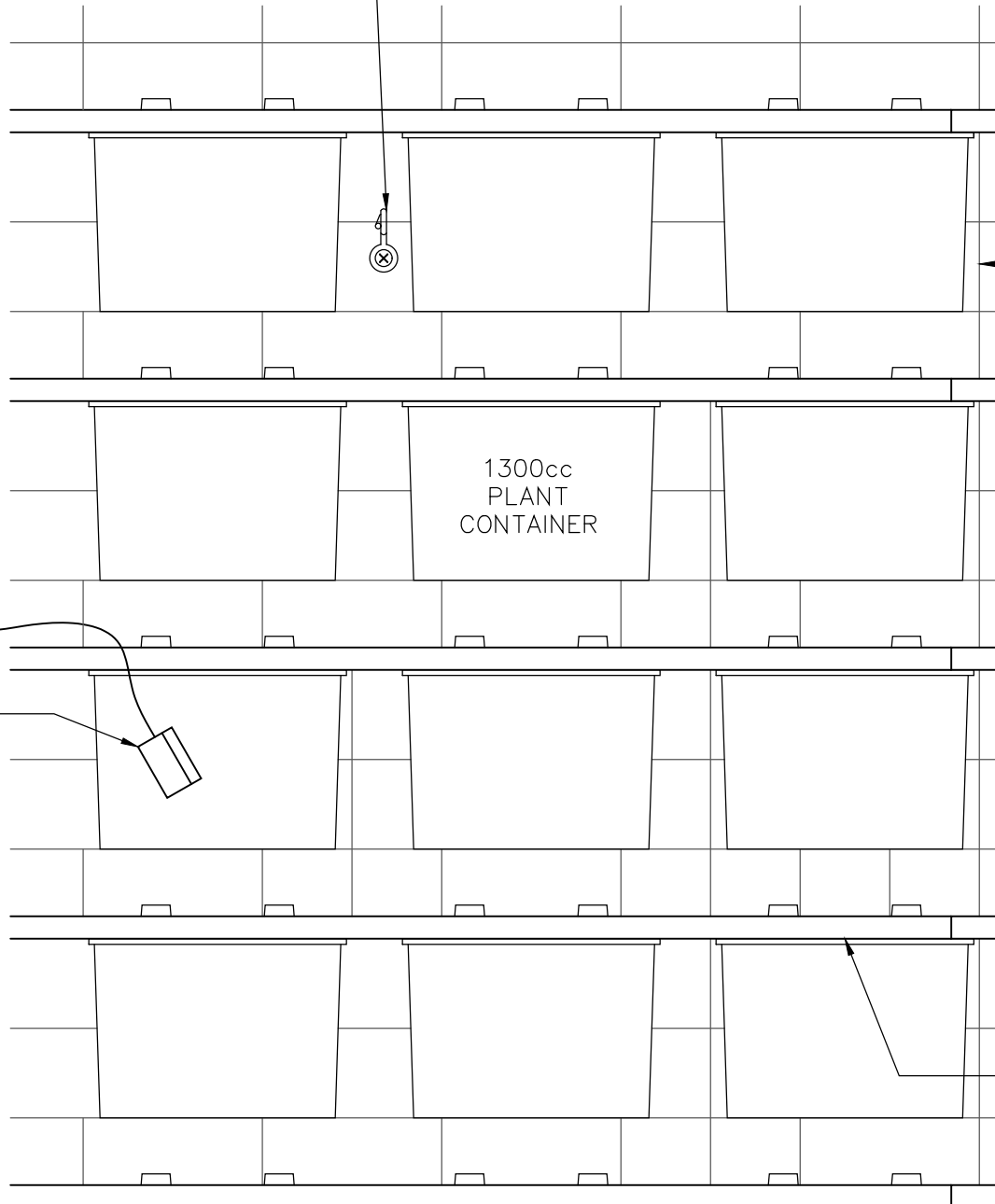
GRID SYSTEM ANCHOR, WITH TAPCON SCREW. MIN. 3'-0" SPACING

GRID AND ANCHORS TO BE INSTALLED USING LASER LEVELING SYSTEM.

NOTE
 WALL SURFACE MUST 100% COMPLETE, FLUSH AND VERTICALLY PLUMB

SENSOR COMMUNICATION CABLE-16 AWG TWISTED PAIR SHIELDED 4 WIRE

MOISTURE & TEMPERATURE SENSOR BURIED IN CONTAINER



S.S. WIRE GRID, NEWARK AMS 5513 2"x4"/.105 DIA.

3/4" POLYETHYLENE IRRIGATION LATERAL LINE

3/4" TEES

TECH EZ DRIPLINE WITH EMITTERS, SEE IRRIGATION DWGS.

1300cc PLANT CONTAINER

1
 GS-1

Green Wall - Exterior Grid System Partial Elevation

SCALE: 3" = 1'-0"

EACH DESIGN IS SITE SPECIFIC

**Exterior
Grid
System**

This Design & Drawing
is Copyright Protected
AgroSci 2017
All Rights Reserved

Project Name:
Green Wall - Exterior Grid System

Project Location:
Standard Details

Project #:
Standard Details

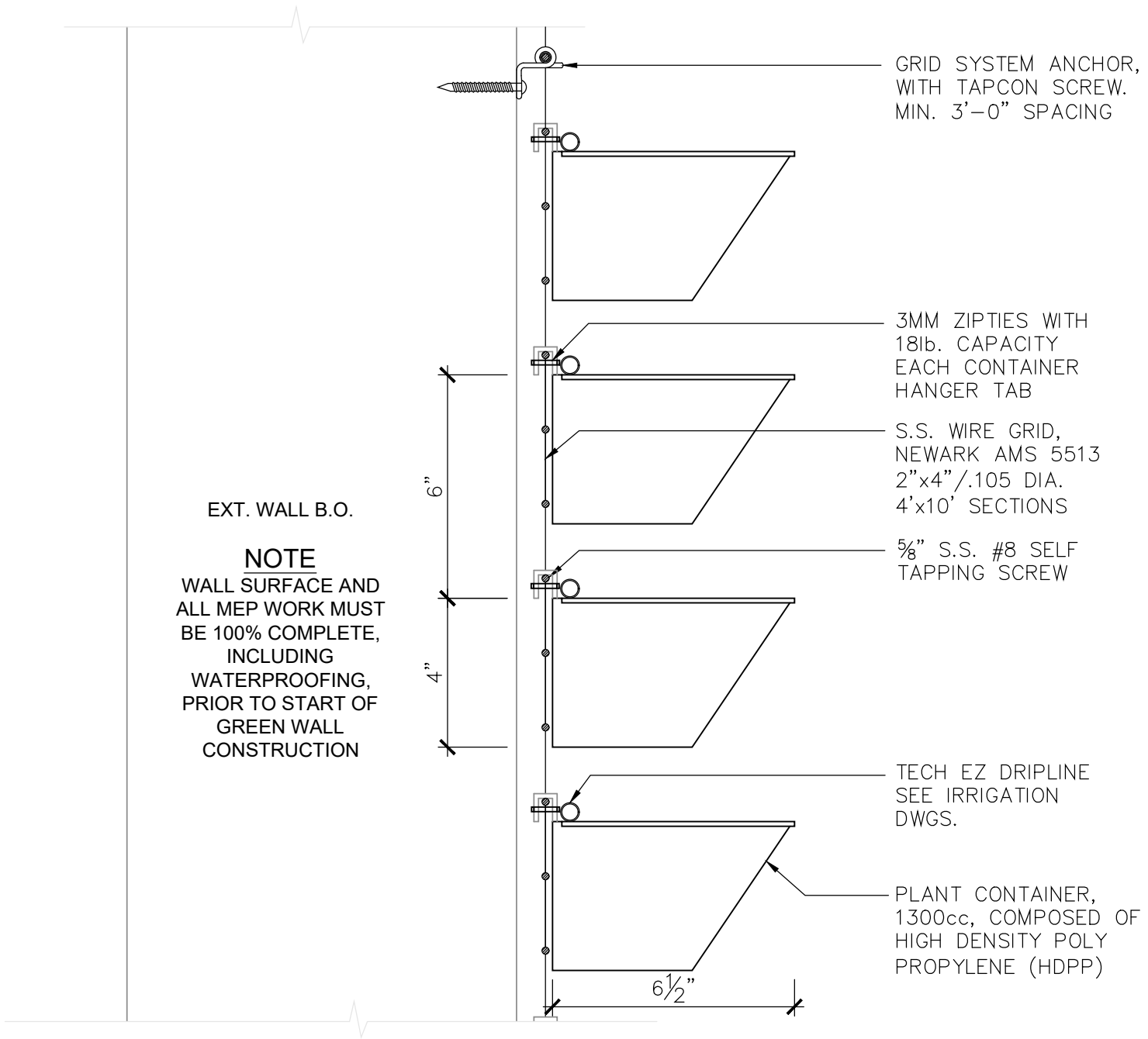
Date:
July 30, 2016

Drawn By:
stc

Scale:
As Noted

Drawing Name:
**Exterior
Green Wall
Section**

Drawing #:
GS-2



1
GS-2

Green Wall - Exterior Grid System Typical Section

SCALE: 3" = 1'-0"

EACH DESIGN IS SITE SPECIFIC

Exterior Grid System

This Design & Drawing is Copyright Protected
 AgroSci 2017
 All Rights Reserved

Project Name:
Green Wall - Exterior Grid System

Project Location:
Standard Details

Project #:
 Standard Details

Date:
 July 30, 2016

Drawn By:
 stc

Scale:
 As Noted

Drawing Name:
 Exterior Green Wall Grid Panel

Drawing #:

GS-3

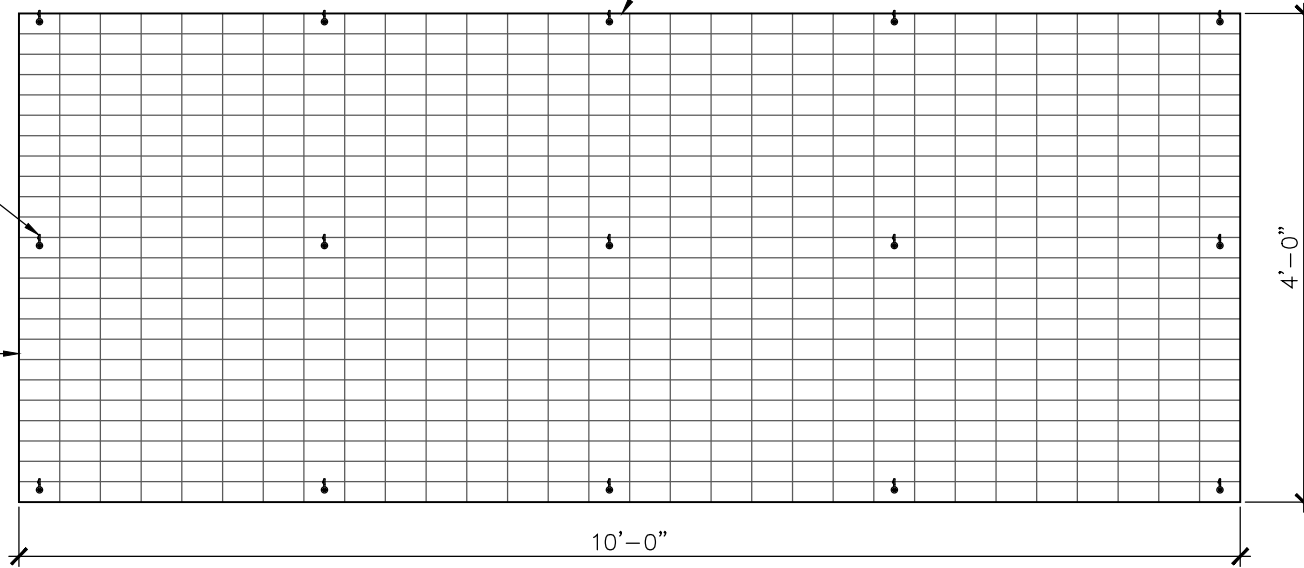
Sheet 5 of 17

NOTE: GRID MUST BE INSTALLED HORIZONTALLY LEVEL AND SQUARE.

S.S. WIRE GRID, NEWARK AMS 5513
 2"x4" / .105 DIA.

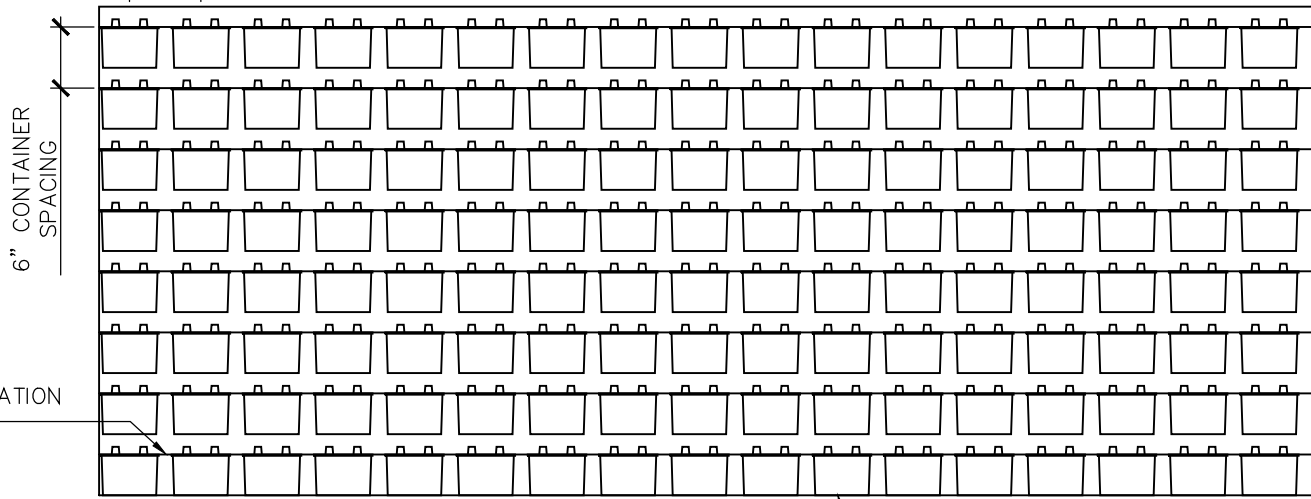
PANEL ANCHOR, MIN. 3' O.C. SEE TYP. DETAIL.

FACTORY EDGE, TYP.



GRID and ANCHORS

7" TYP. CONTAINER SPACING



IRRIGATION LINE

1300cc CONTAINER

CONTAINERS and IRRIGATION

1
 GS-3

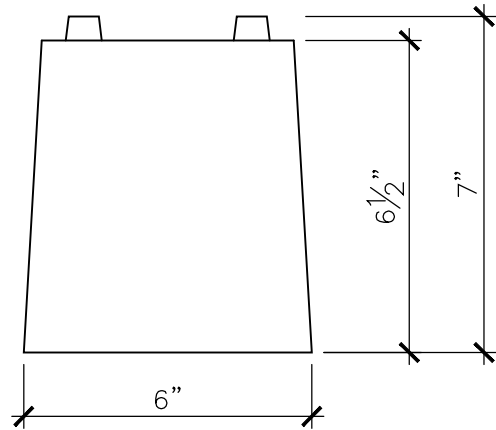
Green Wall - Exterior Grid System Typical Grid Panel Layout

SCALE: 1" = 1'-0"

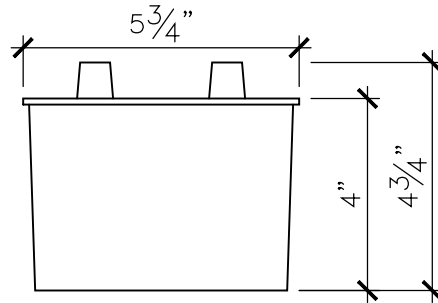
EACH DESIGN IS SITE SPECIFIC

Exterior Grid System

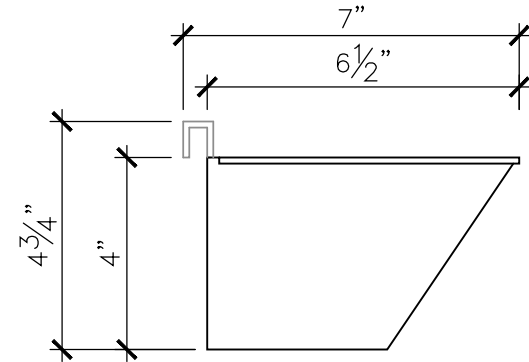
This Design & Drawing is Copyright Protected AgroSci 2017 All Rights Reserved



1300cc PLAN

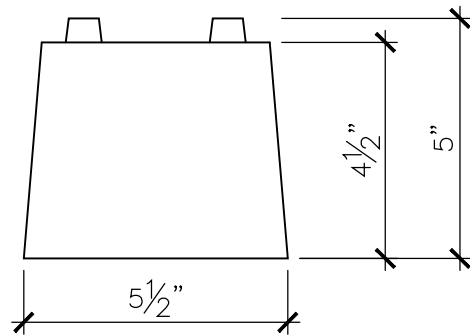


1300cc ELEVATION

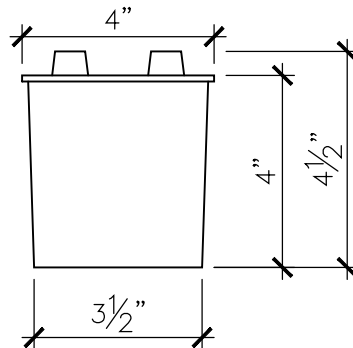


1300cc SECTION

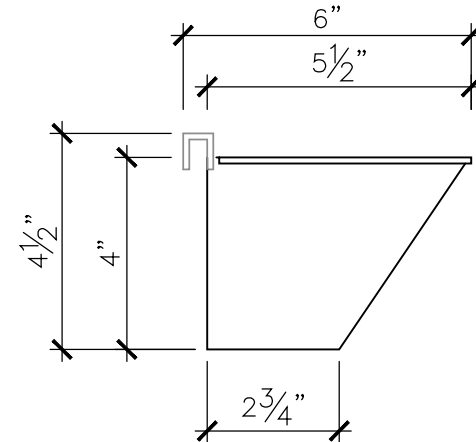
1300cc PLANT CONTAINER



550cc PLAN



550cc ELEVATION



550cc SECTION

550cc PLANT CONTAINER

1
GS-4

Green Wall - Exterior Grid System Container Details

SCALE: 3" = 1'-0"

EACH DESIGN IS SITE SPECIFIC

Project Name:
Green Wall - Exterior Grid System

Project Location:
Standard Details

Project #:
Standard Details

Date:
July 30, 2016

Drawn By:
stc

Scale:
As Noted

Drawing Name:
Exterior Green Wall Containers

Drawing #:
GS-4

**Exterior
Grid
System**

This Design & Drawing
is Copyright Protected
AgroSci 2017
All Rights Reserved

Project Name:
Green Wall - Exterior Grid System

Project Location:
Standard Details

Project #:
Standard Details

Date:
July 30, 2016

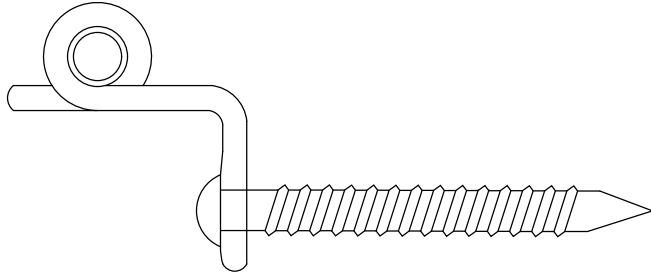
Drawn By:
stc

Scale:
As Noted

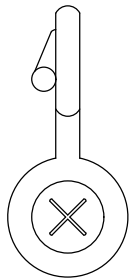
Drawing Name:
**Exterior
Green Wall
Grid Anchor**

Drawing #:
GS-5

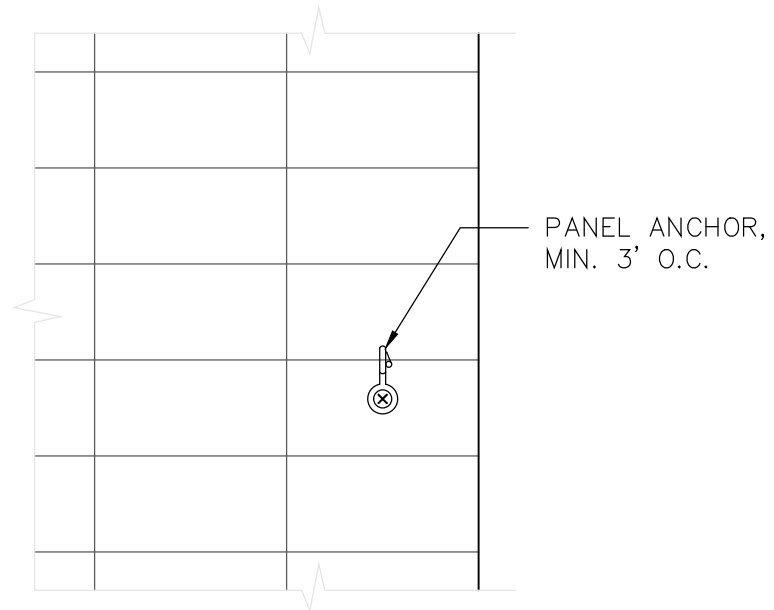
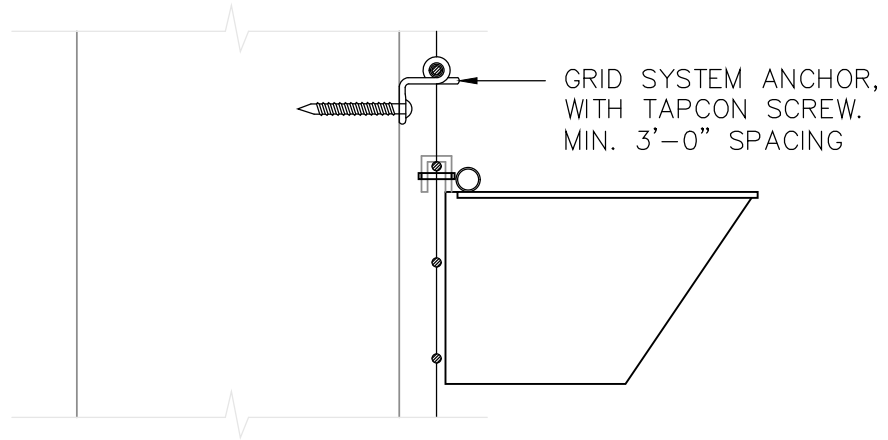
**ANCHOR:
COLD FORMED
STAINLESS STEEL
304 X 5MM OD**



ANCHOR SECTION



ANCHOR ELEVATION



1
GS-5 SCALE: 3" = 1'-0"

Green Wall - Exterior Grid System Grid Anchor Detail

EACH DESIGN IS SITE SPECIFIC

**Exterior
Grid
System**

This Design & Drawing
is Copyright Protected
AgroSci 2017
All Rights Reserved

Project Name:
Green Wall - Exterior Grid System

Project Location:
Standard Details

Project #:
Standard Details

Date:
July 30, 2016

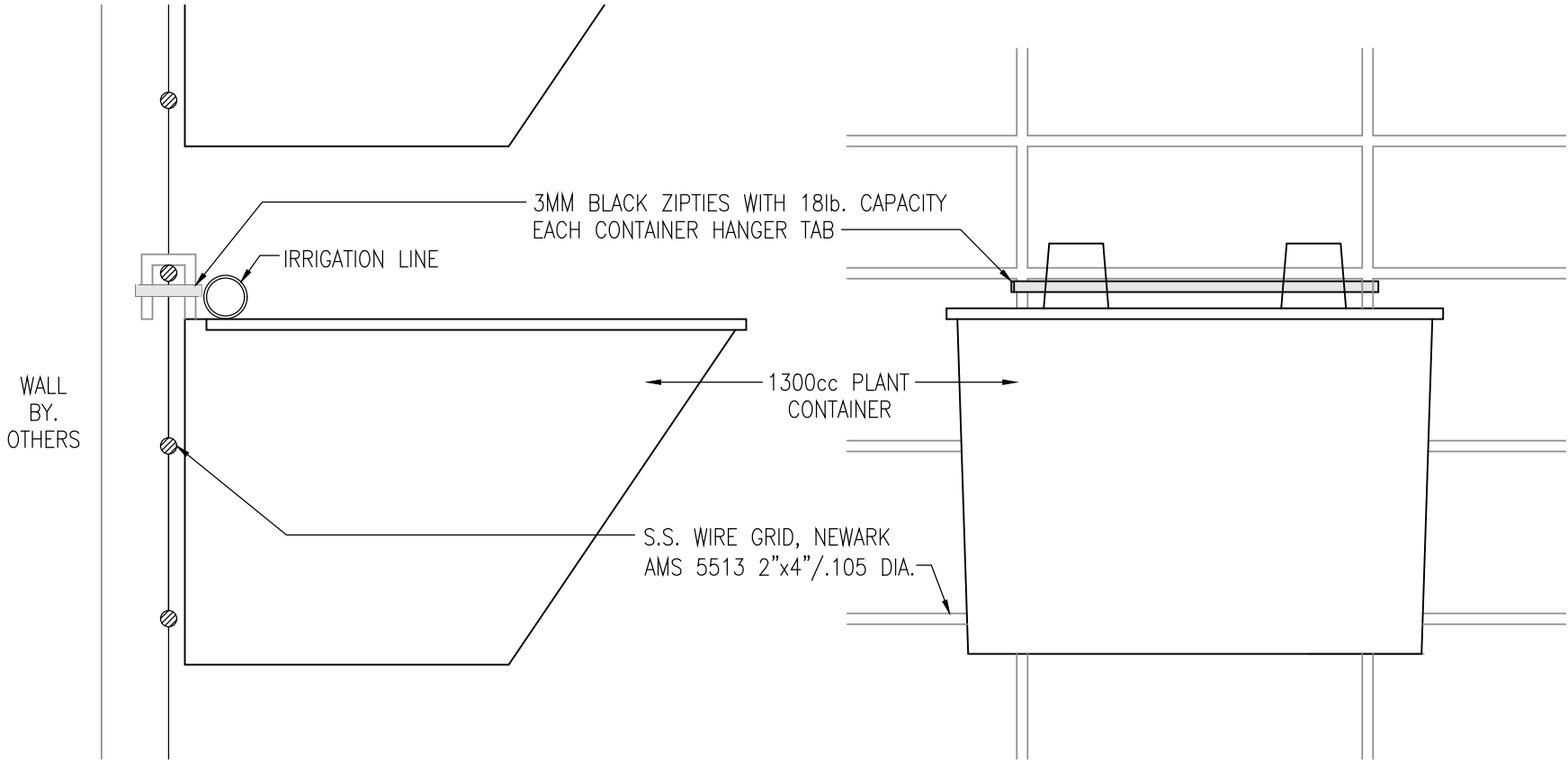
Drawn By:
stc

Scale:
As Noted

Drawing Name:
**Ext Grid System
Container
Anchor**

Drawing #:

GS-6



1
GS-6

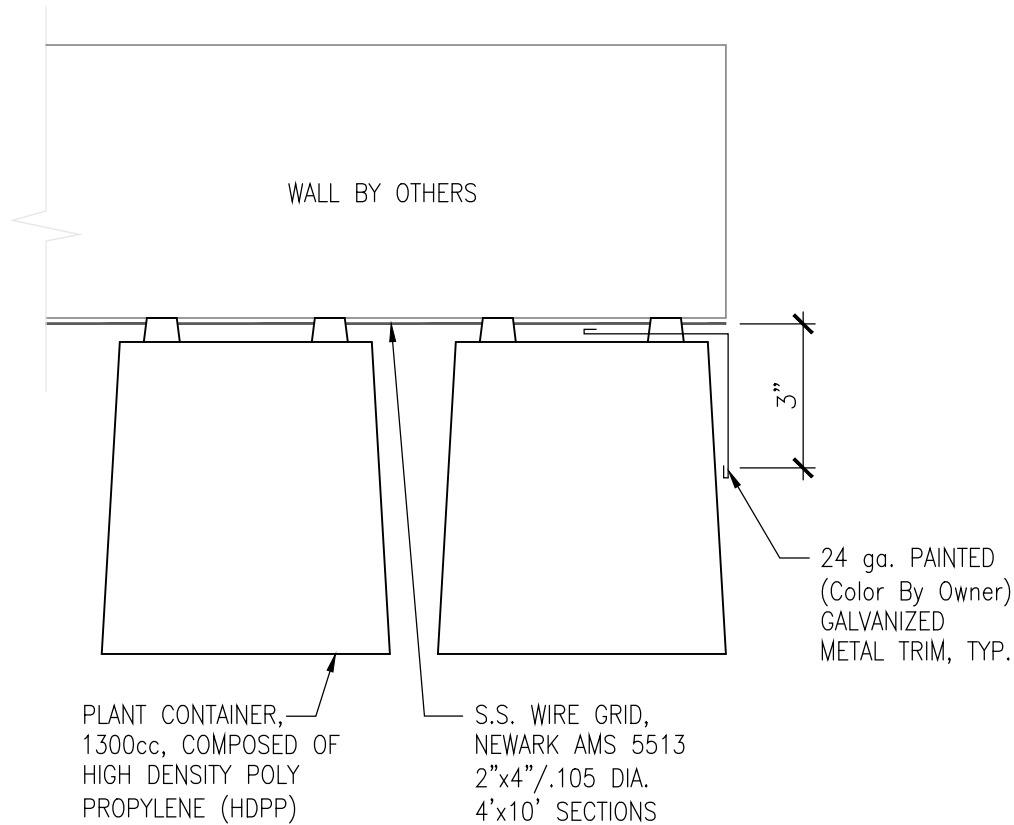
Green Wall - Exterior Grid System Container Anchor

SCALE: 6" = 1'-0"

EACH DESIGN IS SITE SPECIFIC

**Exterior
Grid
System**

This Design & Drawing
is Copyright Protected
AgroSci 2017
All Rights Reserved



Project Name:
Green Wall - Exterior Grid System

Project Location:
Standard Details

Project #:
Standard Details

Date:
July 30, 2016

Drawn By:
stc

Scale:
As Noted

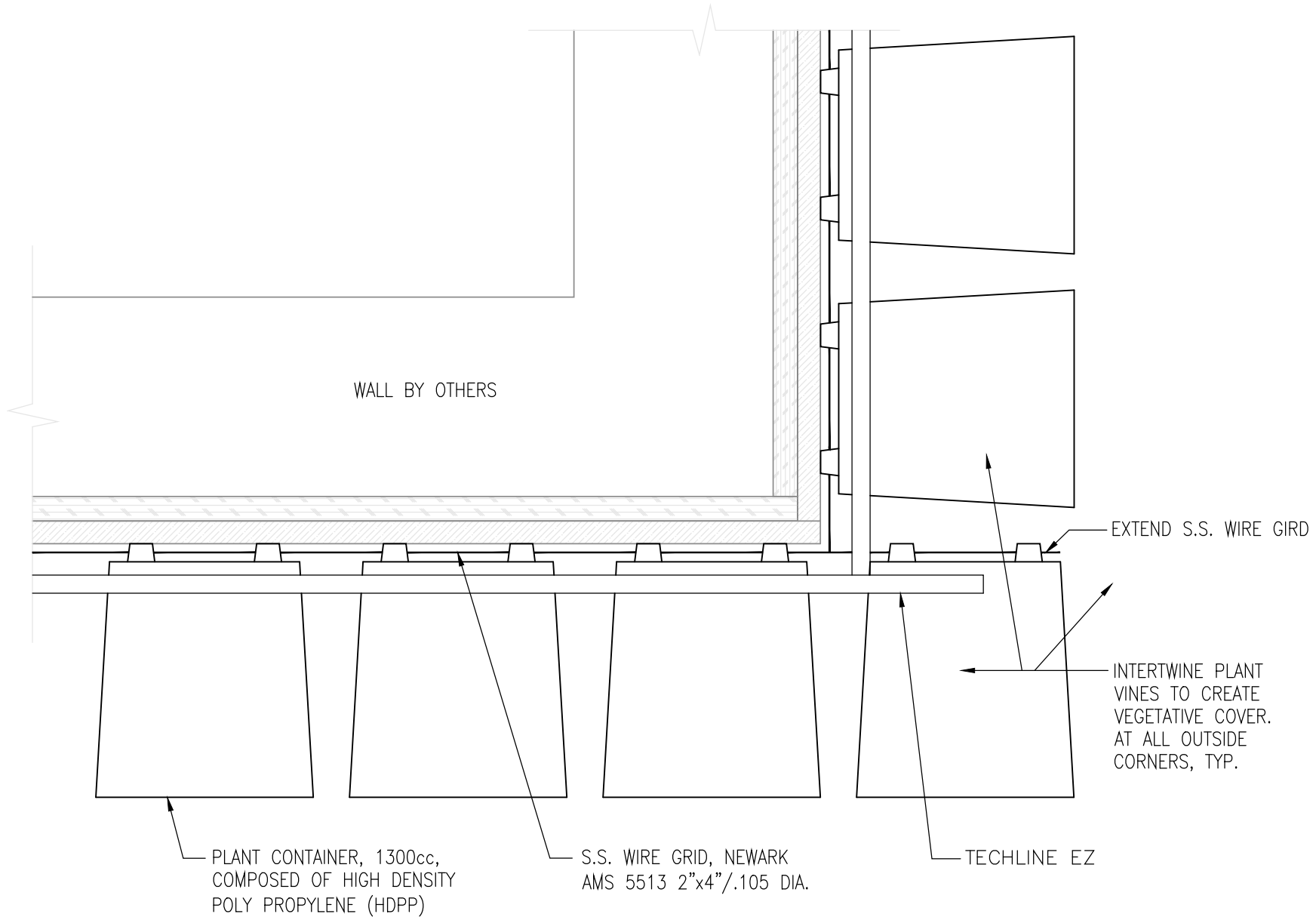
Drawing Name:
**Exterior
Green Wall
Trim Detail**

Drawing #:
GS-7
Sheet 9 of 17

1 **Green Wall - Exterior Grid System Typical Trim Detail**
SCALE: 3" = 1'-0" **EACH DESIGN IS SITE SPECIFIC**

**Exterior
Grid
System**

This Design & Drawing
is Copyright Protected
AgroSci 2017
All Rights Reserved



Project Name:
Green Wall - Exterior Grid System

Project Location:
Standard Details

Project #:
Standard Details

Date:
July 30, 2016

Drawn By:
stc

Scale:
As Noted

Drawing Name:
**Exterior
Green Wall
O.S. Corner**

Drawing #:

GS-8

Sheet 10 of 17

1
GS-8

Green Wall - Exterior Grid System Typical O.S. Corner Detail

SCALE: 3" = 1'-0"

EACH DESIGN IS SITE SPECIFIC

**Exterior
Grid
System**

This Design & Drawing
is Copyright Protected
AgroSci 2017
All Rights Reserved

Project Name:
Green Wall - Exterior Grid System

Project Location:
Standard Details

Project #:
Standard Details

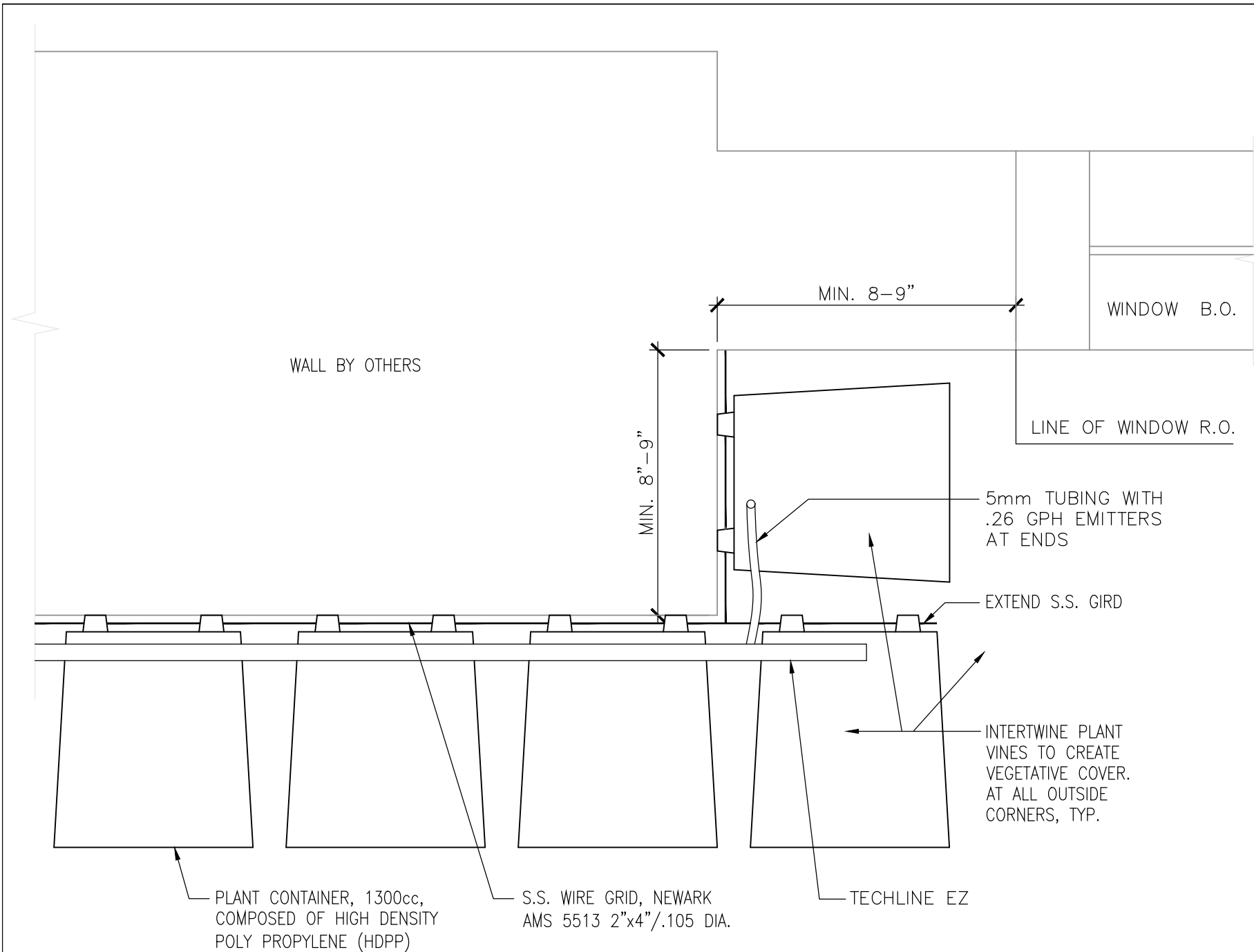
Date:
July 30, 2016

Drawn By:
stc

Scale:
As Noted

Drawing Name:
**Exterior
Green Wall
Window Detail**

Drawing #:
GS-9



1
GS-9

Green Wall - Exterior Grid System Typical Window Detail

SCALE: 3" = 1'-0"

EACH DESIGN IS SITE SPECIFIC

**Exterior
Grid
System**

This Design & Drawing
is Copyright Protected
AgroSci 2017
All Rights Reserved

Project Name:
Green Wall - Exterior Grid System

Project Location:
Standard Details

Project #:
Standard Details

Date:
July 30, 2016

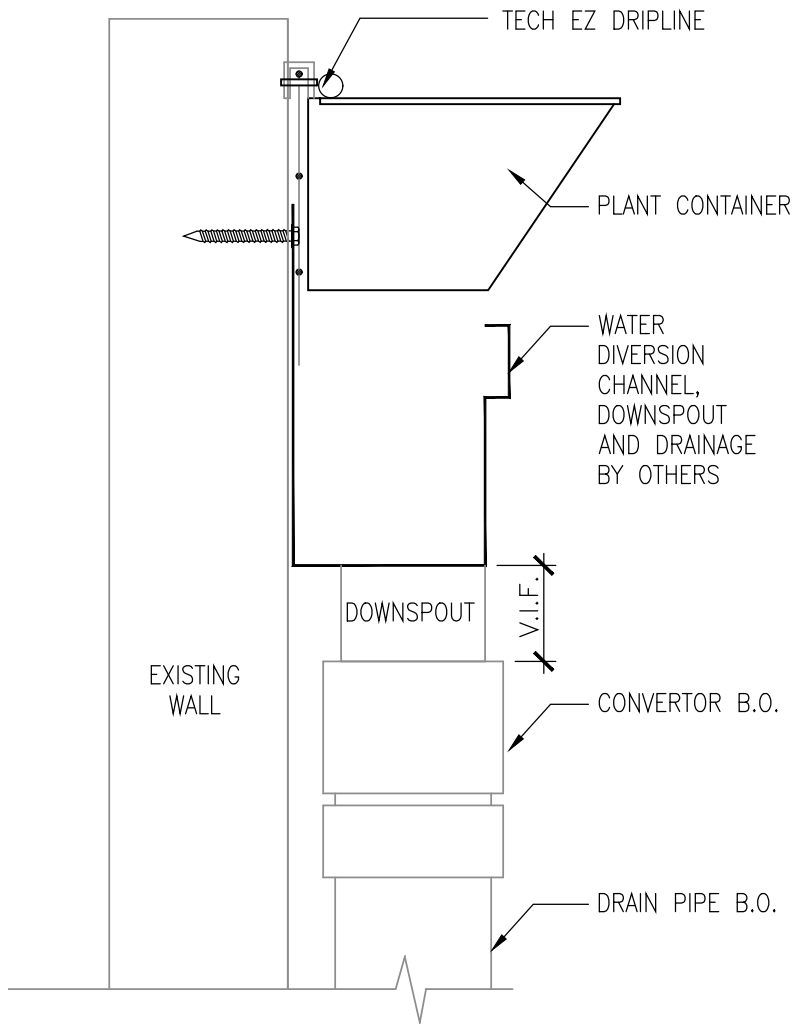
Drawn By:
stc

Scale:
As Noted

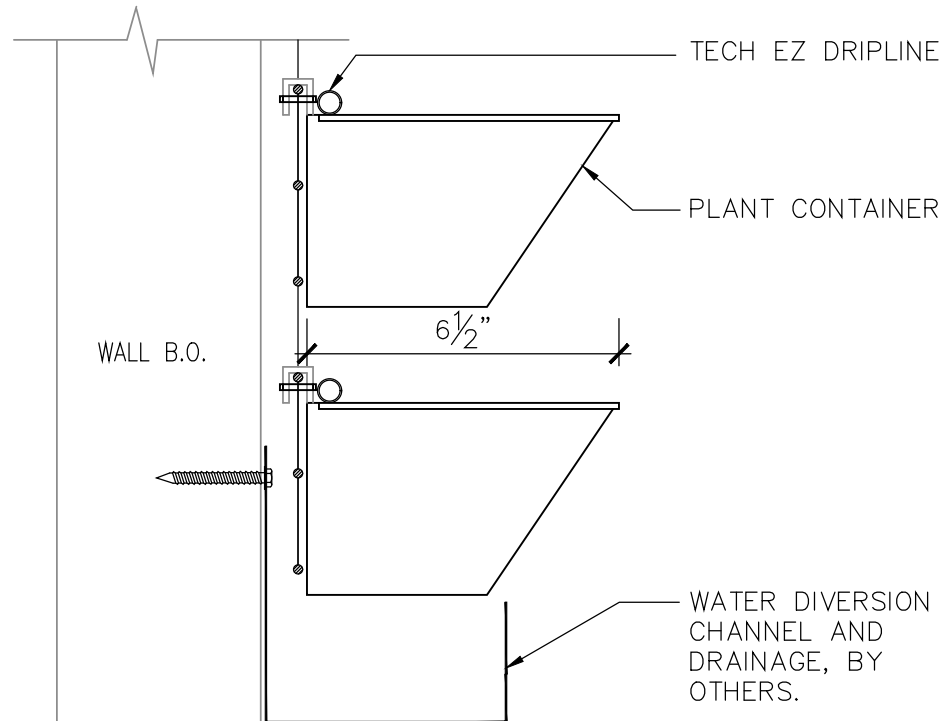
Drawing Name:
**Exterior
Green Wall
Gutter Options**

Drawing #:
GS-10

**NOTE:
All Gutters and
Drainage By Others**



DIRECT TO DRAINAGE SYSTEM



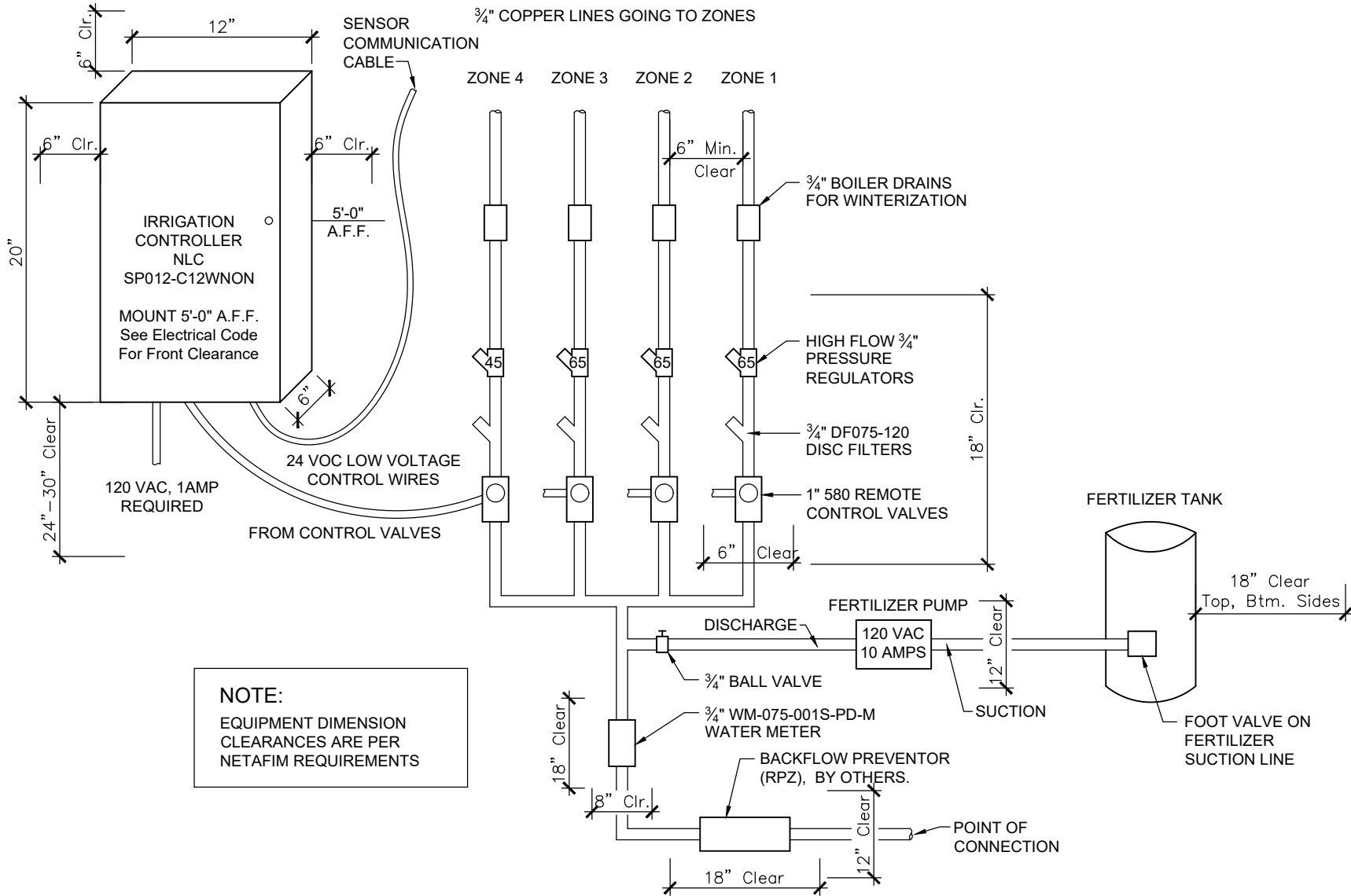
BASIC DRAINAGE CHANNEL

1
GS-10

Green Wall - Exterior Grid System Water Diversion Options

SCALE: 3" = 1'-0"

EACH DESIGN IS SITE SPECIFIC



Project Name:
Green Wall - Exterior Grid System

Project Location:
Standard Details

Project #:
Standard Details

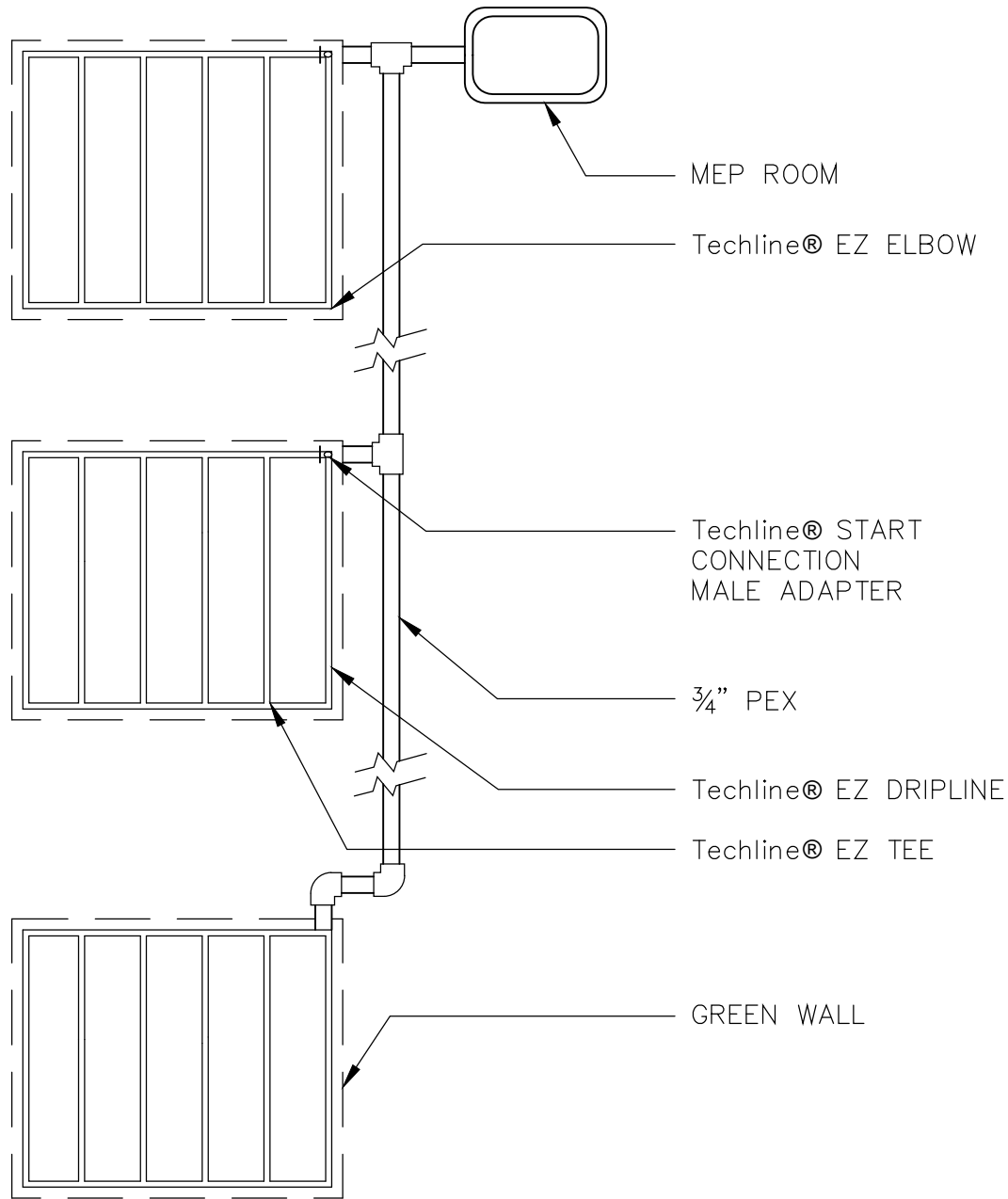
Date:
July 30, 2016

Drawn By:
stc

Scale:
As Noted

Drawing Name:
Irrigation
Equipment
Room Layout

Drawing #:
GS-11



Project Name:
Green Wall - Exterior Grid System

Project Location:
Standard Details

Project #:
Standard Details

Date:
July 30, 2016

Drawn By:
stc

Scale:
As Noted

Drawing Name:
Irrigation
System
Diagram

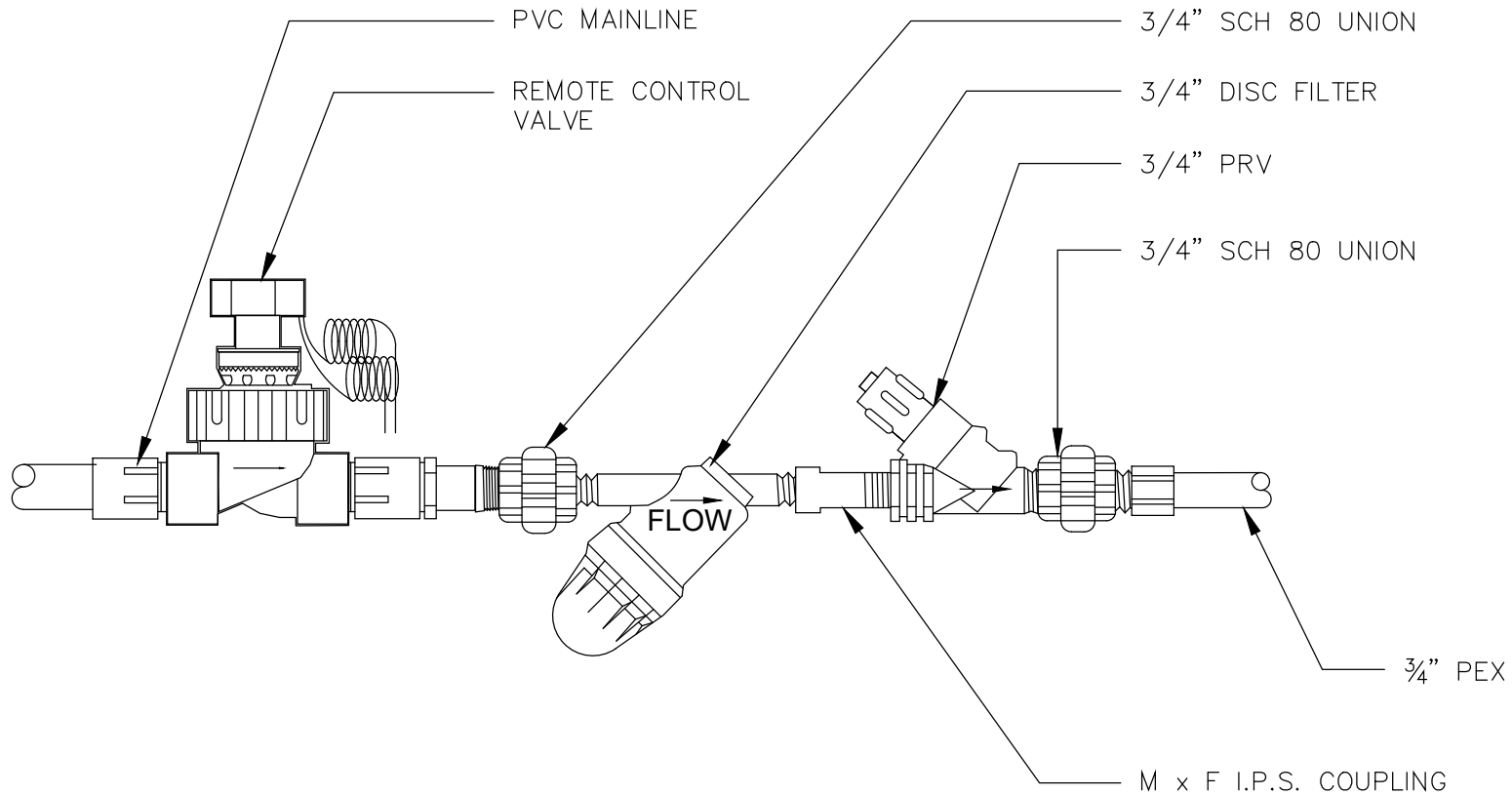
Drawing #:
GS-12
Sheet 14 of 17

1
GS-12

Green Wall - Exterior Grid System Irrigation Diagram

SCALE: N.T.S.

EACH DESIGN IS SITE SPECIFIC



Project Name:
Green Wall - Exterior Grid System

Project Location:
Standard Details

Project #:
Standard Details

Date:
July 30, 2016

Drawn By:
stc

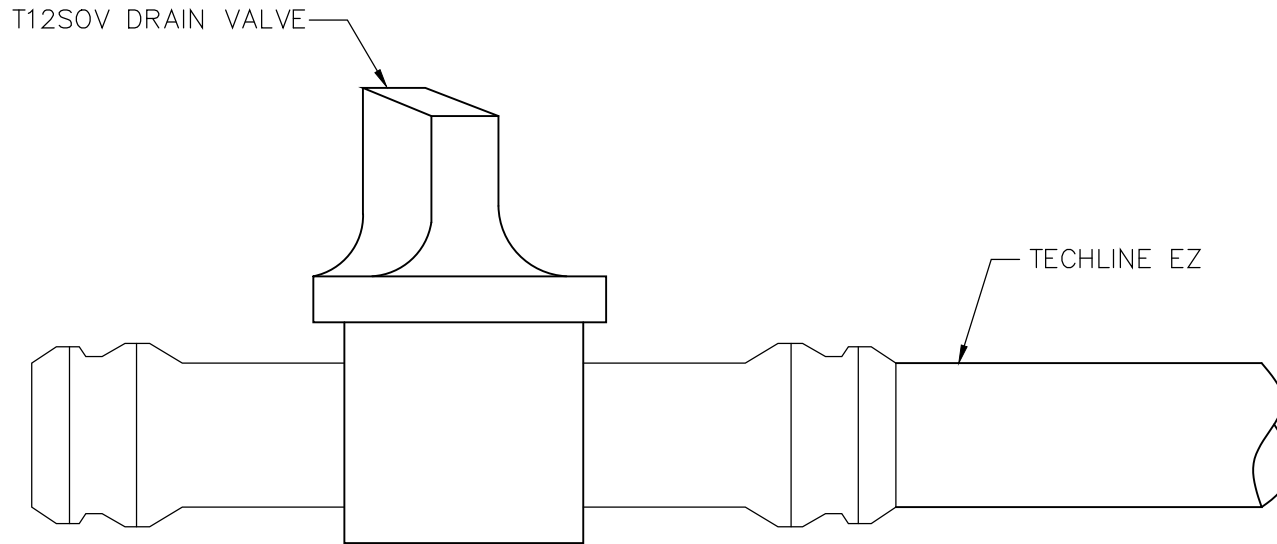
Scale:
As Noted

Drawing Name:
**Irrigation
Remote Control
Valve Detail**

Drawing #:
GS-13

Sheet 15 of 17

1 Green Wall - Irrigation Remote Control Valve Detail
 GS-13 SCALE: 3"=1'-0"
 EACH DESIGN IS SITE SPECIFIC



1
GS-14

Green Wall - Exterior Grid System Irrigation Manual Drain Detail

SCALE: 12"=1'-0"

EACH DESIGN IS SITE SPECIFIC

Project Name:
Green Wall - Exterior Grid System

Project Location:
Standard Details

Project #:
Standard Details

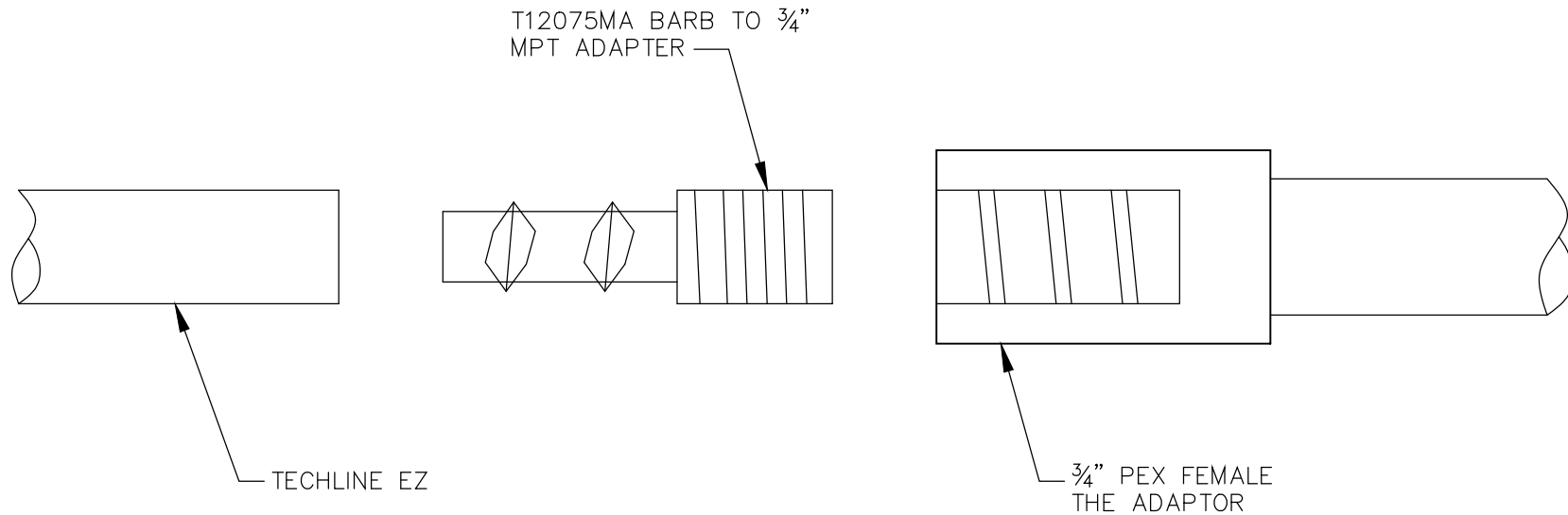
Date:
July 30, 2016

Drawn By:
stc

Scale:
As Noted

Drawing Name:
Irrigation
Manual Drain
Detail

Drawing #:
GS-14



1
GS-15

Green Wall - Exterior Grid System Irrigation Copper Connection to Tubing

SCALE: 12"=1'-0"

EACH DESIGN IS SITE SPECIFIC

Project Name:	Green Wall - Exterior Grid System
Project Location:	Standard Details

Project #:
Standard Details

Date:
July 30, 2016

Drawn By:
stc

Scale:
As Noted

Drawing Name:
Irrigation
Connection At
Copper-Tubing

Drawing #:
GS-15
Sheet 17 of 17